



**Pump specifications:**

Type.....BE160 D254 NMC  
 Max. flow .....300 m<sup>3</sup>/hour  
 Max. head..... 17 mwc  
 Connections.....DN 150 (6")  
 Impeller type .....Semi-open impeller  
 Free passage.....80 mm  
 Pump speed ..... 1470 rpm  
 Electric motor..... 15 kW - 4 pole  
 Voltage .....400/690V 50 Hz  
 Assembly .....Norm block  
 Weight (net) .....525 kg

**FEATURES**

**B self-priming centrifugal pump**

The B range of pumps has been designed with a clear focus on reliability, efficiency and durability, ranging from 1-1/2" to 12". Featuring an open impeller configuration in combination with a changeable wear plate, facilitating servicing and minimising costs of spares. All B series pumps are fitted with a non return valve in the suction port, eliminating the need for a foot valve in suction line and allowing quick priming.

**Design features**

- Basic, reliable technology
- Large solids handling capacity
- Suitable for use with hot fluids
- Cooled shaft seal
- Extended life due to pump design
- Available with ATEX approval

**Fields of application**

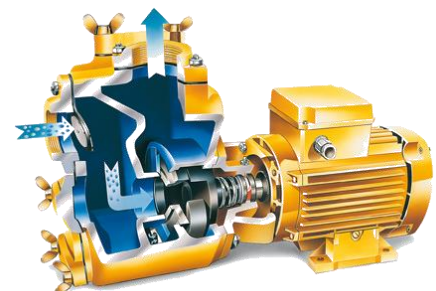
- Shipping
- Industry
- Construction
- Waste water management
- Emergency pump units
- Irrigation
- Agriculture
- Horticulture

**Complete package designed & built by BBA Pumps**

- Complete in-house design & production
- Over 60 years of experience in the market
- Extensive testing facility in-house
- Contemporary & functional design
- Durable & eco-friendly materials
- Custom builds available

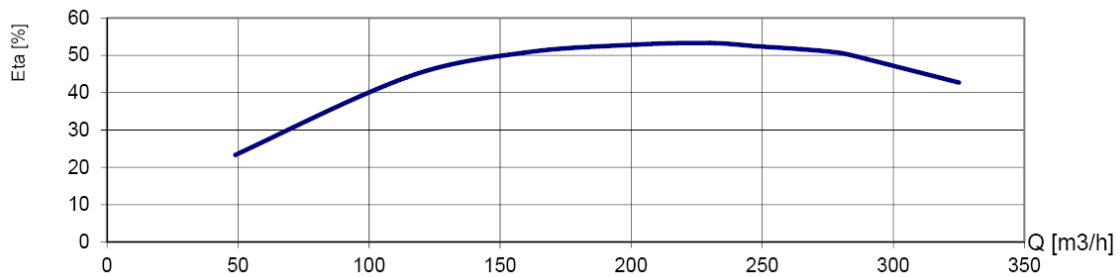
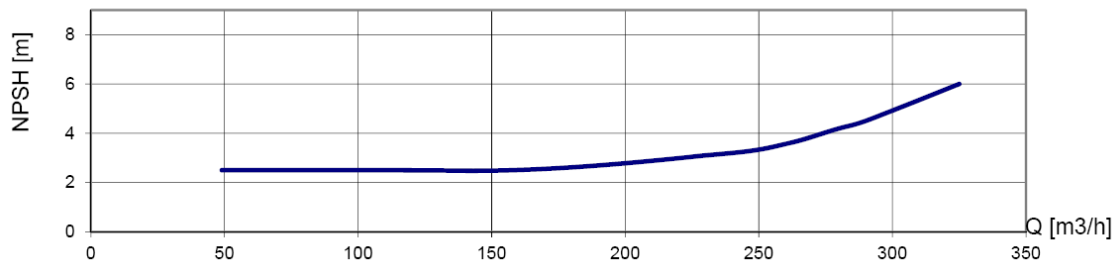
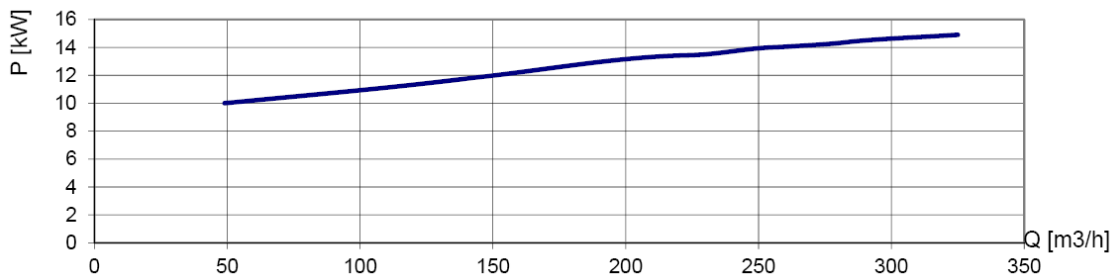
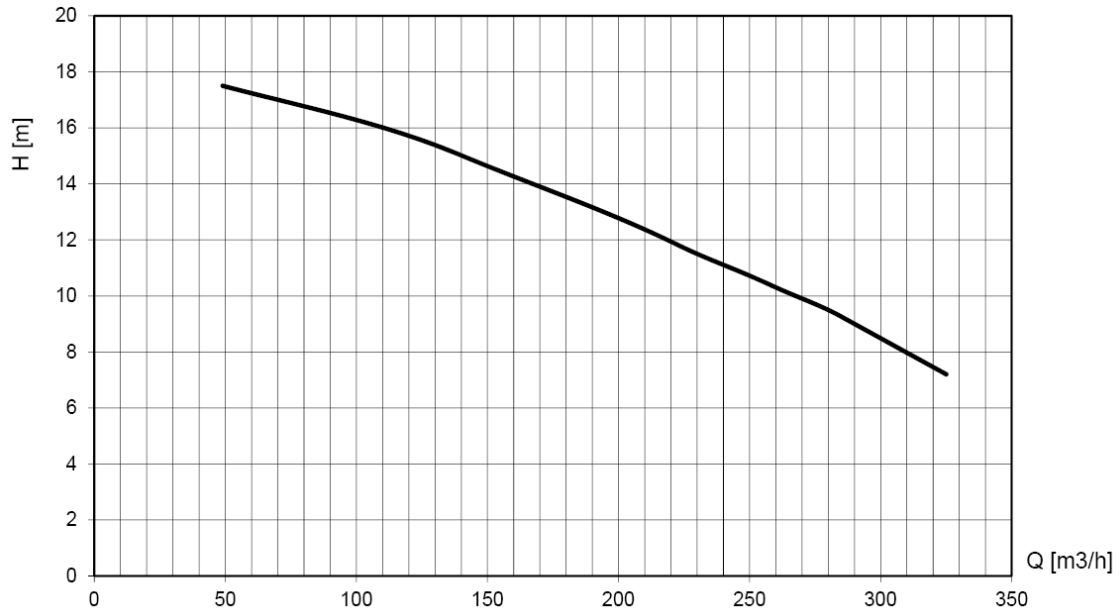
**After sales service & product support**

- Single supplier for parts, spares & accessories
- Dedicated customer help-desk (24h service)
- Dedicated service department in-house
- Global parts distribution network
- Optional global on-site servicing
- Extensive training options available (technical & commercial), on-site or in-house



**PERFORMANCE CURVES (1500 RPM)**

Continuous duty according ISO 9906



**STANDARD TECHNICAL SPECIFICATIONS**

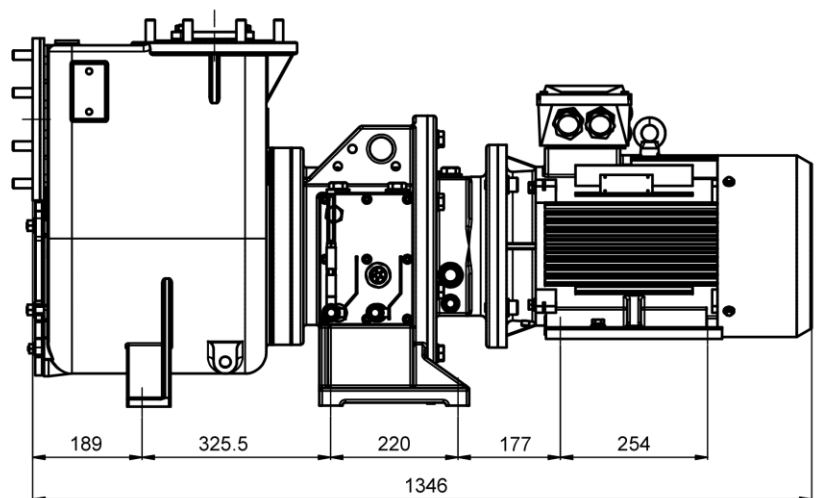
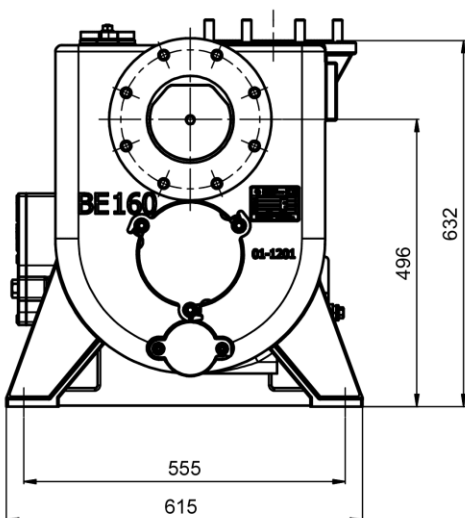
**BBA auto prime pump**

Pump type.....	BE160 D254
Max. flow.....	300 m <sup>3</sup> /hour (1320 US GPM)
Max. head.....	17 mwc (56 feet)
Impeller type.....	Semi-open impeller
Solids handling.....	80 mm (3.15 inch)
Pump casing.....	Cast iron GG20
Impeller.....	Cast iron GG25
Wear plate.....	Cast iron GG25
Pump shaft.....	C45
Shaft seal.....	Mechanical seal 45 mm
Seal faces.....	Tung/Tung
Seal rubbers.....	Viton



**Electric motor**

Motor brand.....	Hoyer
Motor type.....	HMC3 160L-4
Power kW (Hp).....	15 kW (20 Hp)
Rated Voltage.....	400/690V 50Hz
Current (I nom.).....	28 Amp
4-pole.....	1470 RPM
Efficiency.....	92.1%
IE3.....	EC Directive 2005/32



Actual dimensions (in mm) may vary depending on selected motor IEC standard.