

Plastic Volumetric Vane Pump



» TECHNOLOGY INNOVATION & RELIABILITY

Tapflo is specialised in the design and application for water treatment, pharmaceutical, chemical, petrochemical and refinery applications.

We continue every day to lead the way in providing the most reliable sealless pumps available with the latest technology.

All Tapflo sealless pumps are engineered to comply with the new environmental rules "1990 EPA Clean Air Act".

» PUMP BENEFITS

Our Plastic Volumetric Vane Pumps redefine fluid transfer with a focus on low and constant flow, high head, and automatic differential pressure.

Built for reliability and environmental safety, these pumps deliver exceptional performance while maintaining zero leakages even in extreme working conditions. The absence of a mechanical seal or packing gland not only enhances safety but also ensures an eco-friendly operation.

These pumps maintain head and flow for an extended running period thanks to the automatic compensation for wear due to slip by graphite internal vanes.

» SPECIFICATIONS

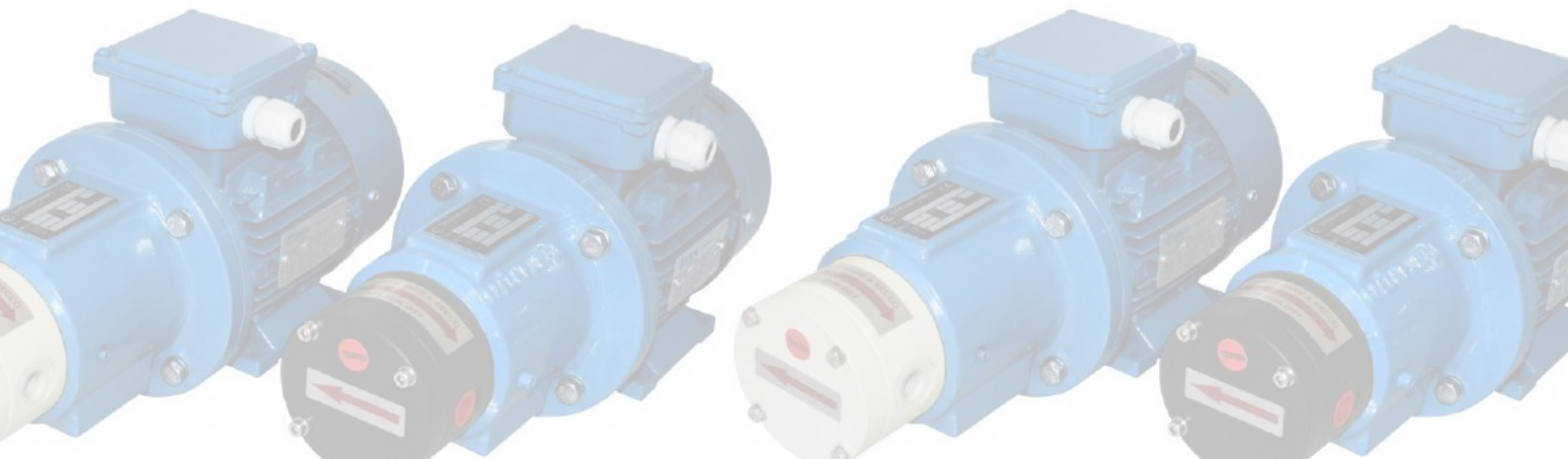
Tapflo Volumetric Sliding Vane Pumps can maintain design head and flow for an extended running period because of self compensating carbon vanes. Volumetric Plastic Vane Pump MP are suitable for thin non lubricating mediums, corrosive and dangerous liquids, they eliminate pressure drop without rapid wear of carbon parts.

- **Materials:** PVDF, PP
- **Max Capacity:** Up to 400l/min @ 50 Hz & up to 430l/min @ 60 Hz
- **Max Pressure:** Up to 5 Bar
- **Self-Priming:** Up to 2.5m of water (dry)
- **Max Temperature:** Up to 50°C for PVDF & up to 40°C for PP



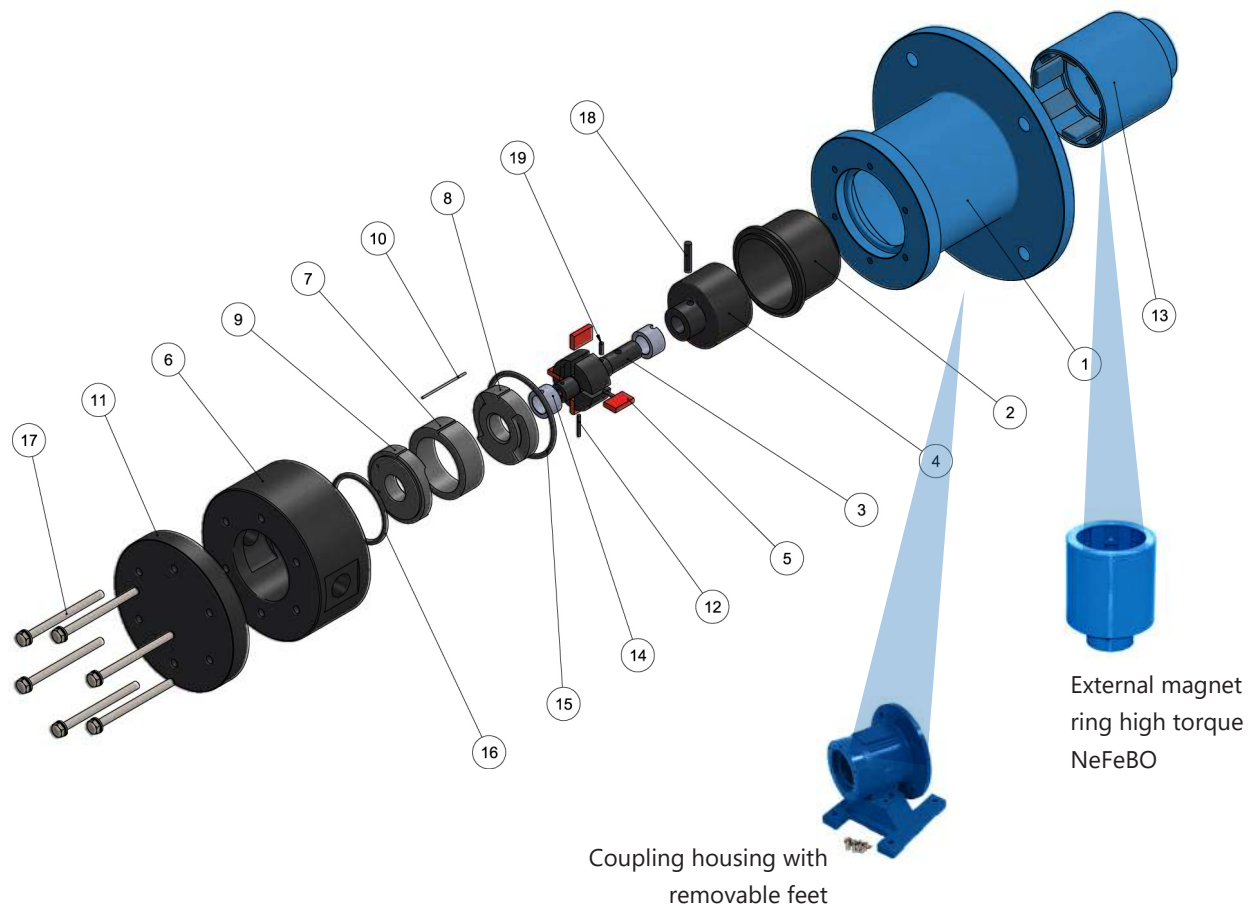
» FEATURES

- Constructed with features ensuring zero leakages
- Maintains head and flow for an extended running period, automatically compensating for wear due to slip with graphite internal vanes
- Ideal for pumping liquids that are slightly lubricating and maintaining a constant head during normal operation
- Handles viscosities up to 2,000 cPs
- Compatible with frequency converters for versatile operation
- Heavy-Duty Machined Pressure Parts
- Internal Graphite Cartridge
- High MTBF (Mean Time Between Failure)
- High Torque Neodymium Iron Boron Magnets
- Pedestal Support: Available for all series, providing stability and ease of installation
- In compliance with ATEX regulation category EX II 2 G, ensuring adherence to safety standards



TYPICAL SERVICES

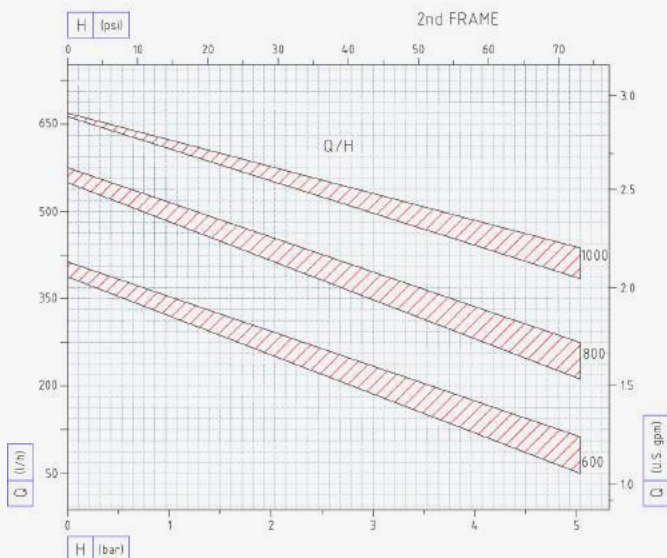
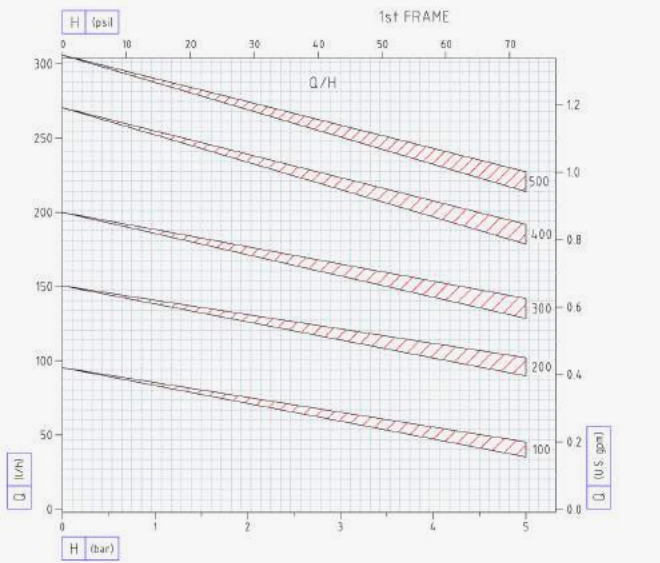
- | | |
|--|---|
| <ul style="list-style-type: none"> • Pumping dangerous and radioactive liquids • Transfer of solvents, acids, alkalies • Pilot plants • Chemical processing • Sampling • Electronics | <ul style="list-style-type: none"> • Municipal (scrubber system) • Biofuels • Pulp and Paper • Pharmaceutical utilities • Laboratories |
|--|---|



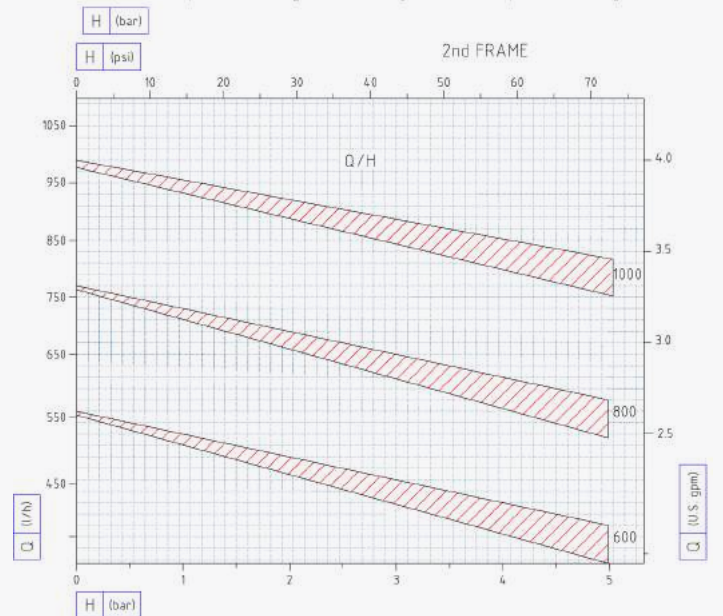
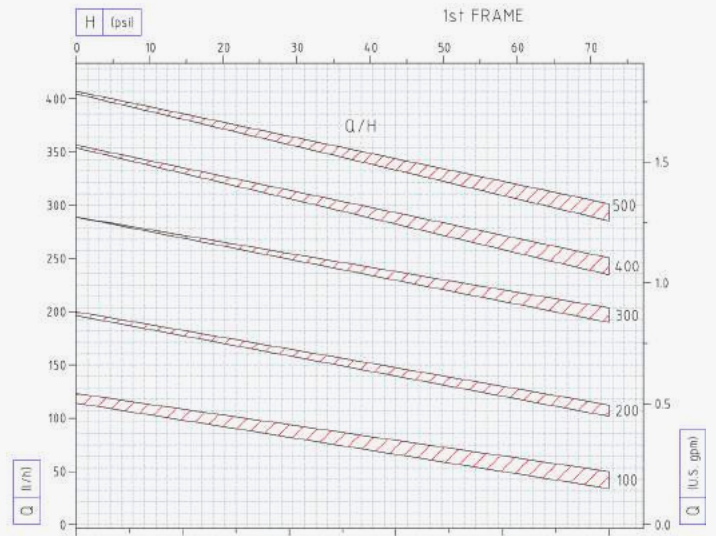
Ref.	Description	Ref.	Description
1	Coupling housing	11	End cover
2	Containment shell	12	Vane pin
3	Rotor shaft	13	External magnet ring
4	Internal magnet ring	14	SiC bearing
5	Vane	15	Rear O-Ring
6	Pump casing	16	Front O-Ring
7	Stator ring carbon	17	Pump casing screw
8	Rear flange carbon	18	Inner
9	Front flange carbon	19	Bearing grub screw
10	Alignment pin		

Design Curves

» Volumetric Plastic Vane Pump 950 rpm 50hz



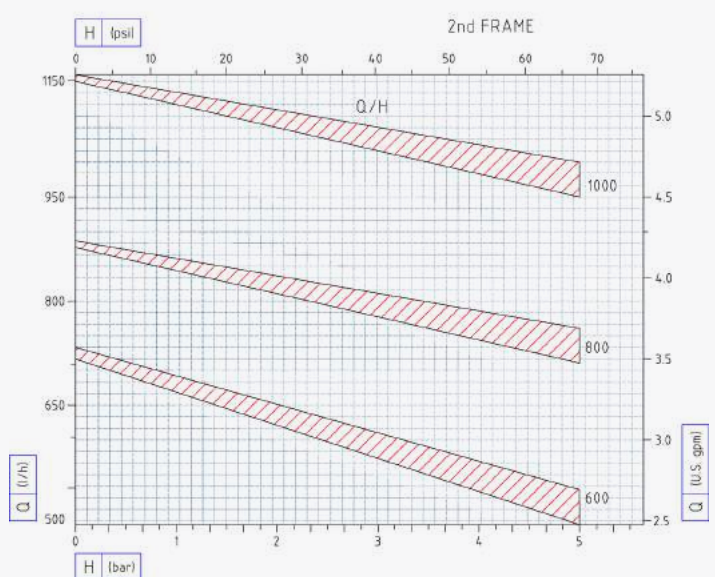
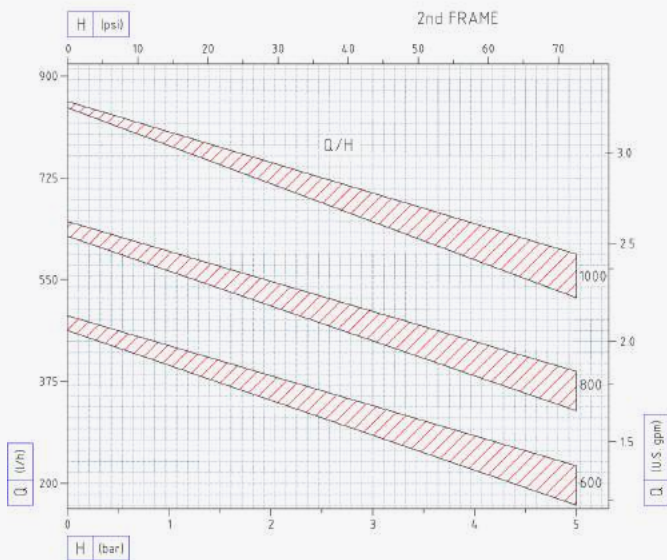
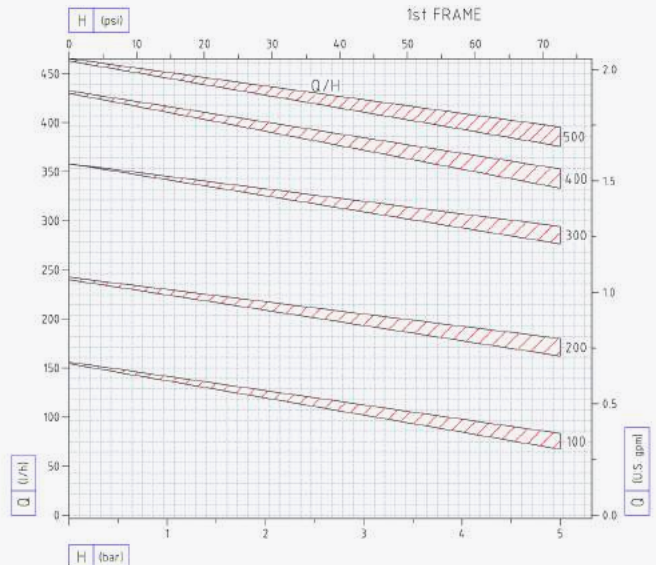
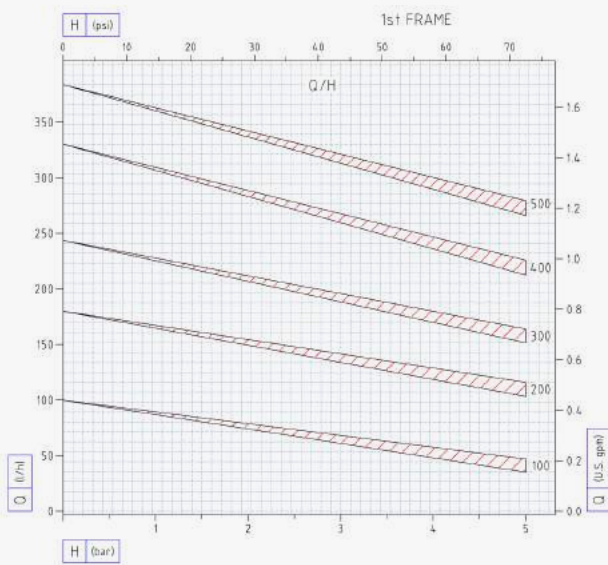
» Volumetric Plastic Vane Pump 1450 rpm 50hz



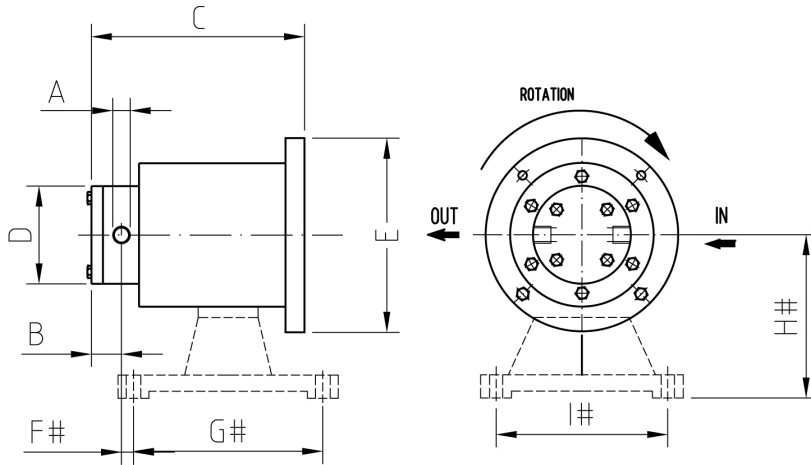
Design Curves

» Volumetric Plastic Vane Pump 1150 rpm 60hz

» Volumetric Plastic Vane Pump 1750 rpm 60hz



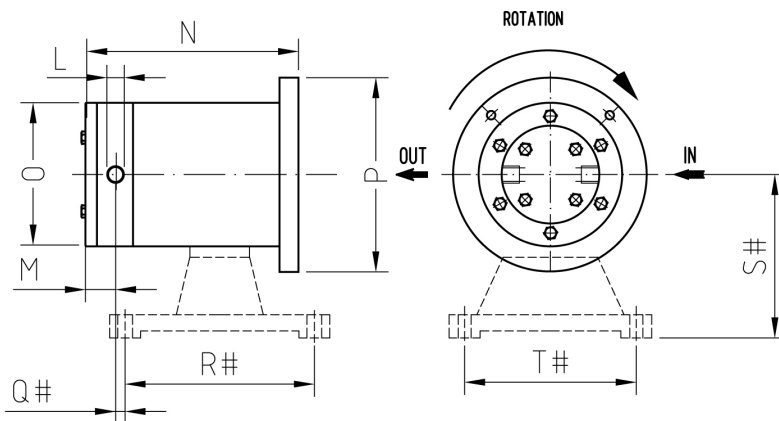
Overall Dimentions



1° FRAME

ON REQUEST ONLY

PUMPS 100 200 300 400 500									mm
A	B	C	D	E	F	G	H	I	inches
3/8" FPT	35	162	90	160	4.5	160	117	14.0	WEIGHT
3/8" NPT	1.378"	6.378"	3.543"	6" 1/4	0.177"	6.3"	4.606"	5.512"	3,5Kg
									lbs 7



2° FRAME

ON REQUEST ONLY

PUMPS 600 800 1000									mm
L	M	N	O	P	Q	R	S	T	inches
1/2" FPT	41	184	123	200	/	/	/	/	WEIGHT
1/2" NPT	1.614"	7.244"	4.843"	7.874"	/	/	/	/	4Kg
									lbs 9

Construction materials
PVDF



» Internal components

Options & special executions

- Flanged ports ISO / ANSI
- O-Rings available in different materials



» Kit spare



» Repair quick cartridge