

tapflo®

# DPT PULSATION DAMPENERS

2024 | 1



» All about your flow®

[www.tapflo.com](http://www.tapflo.com)

## » All about your flow®

*We began our journey in 1980 in Kungälv, a small town on the Swedish west coast, as a family company with an ambition to one day become a global player on the pump market.*

Since the foundation, we have taken pride in delivering a wealth of knowledge and passion for pumps to the industry, whilst supplying a wide range of premium products for various industrial applications.

Over the years, the company has developed into a global Tapflo Group with branches and distributors present in nearly every region of the world.

One thing did not change - we are still a family company.

Our solutions are designed and manufactured in Europe and distributed globally to offer the best service and flow solutions to our customers for a variety of applications.

Our values, Commitment, Quality and Simplicity are reflected both in our product and business approach.



**For fast and flexible service and high-quality products readily available worldwide, choose Tapflo.**

## Quality commitment

At Tapflo we are simply committed to quality. As a result, our production standards, as well as products quality, comply with various globally recognised certification and quality control standards. The Tapflo manufacturing process is certified according to ISO 9001:2015, confirming that our processes are appropriate, effective, customer-focused and continuously improved.



## Tapflo values

Our culture is concluded in Our values

### Commitment

We are different from our competitors because of our willingness to exceed the customers' expectations, move fast and be flexible. Our culture is based on the spirit of togetherness, enthusiasm and integrity. We come from all over the world but we share the same values and we respect each other. We are committed.

### Quality

We understand that the quality in our work is never better than the weakest link, that's why we focus on every small detail. We share a common passion for continuously finding more efficient and effective ways to provide value to our customers. As a manufacturer we have control of the complete process both in terms of our products and the way we operate internally. That is why we manufacture the highest quality pumps in our segment.

### Simplicity

We have a saying, "Simple is art" which means we try to find smooth and uncomplicated solutions in everything. By keeping it simple we can focus on the essential, like designing uncomplicated pumps with few components. For us it is a key to success; strive to simplify what is complex.

# DPT Pulsation Dampeners

Significantly less pulsations | vibrations | hammering

DPT pulsation dampeners reduces pulsations, vibrations and hammering in the piping up to **80%**, by using a stainless steel pressure housing with a reinforced rubber hose surrounded by a volume of air.

Proven efficiency

pulse reduction up to

**80%**



» Air connection with manometer is protected by **AISI 304** cover

» Housing in **AISI 304**

» **Modular** flange system

» Flange brackets in **AISI 304**



Certificates may vary depending on material execution of particular product.

## Features & Benefits



### Reduces downtime & maintenance costs

Easy to clean - inner part of the hose and inserts are the only parts in contact with the liquid



### For different pumps

Dedicated for peristaltic pumps but also suitable for other pump types



### Certified design

In accordance with the European PED Directive 2014/68/EU



### For difficult liquids

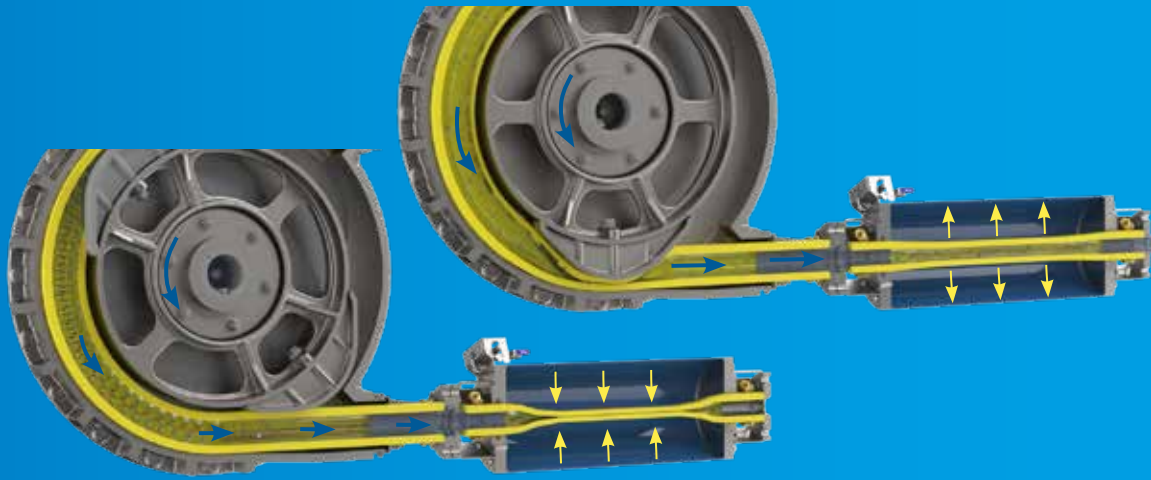
Can handle abrasive, corrosive, viscous liquids with particles up to 20% of the inner hose diameter



### Lifting eyes (optional)

For better handling and safety at work

## Working principle



Hose pumps, due to their design, generate pulsations.

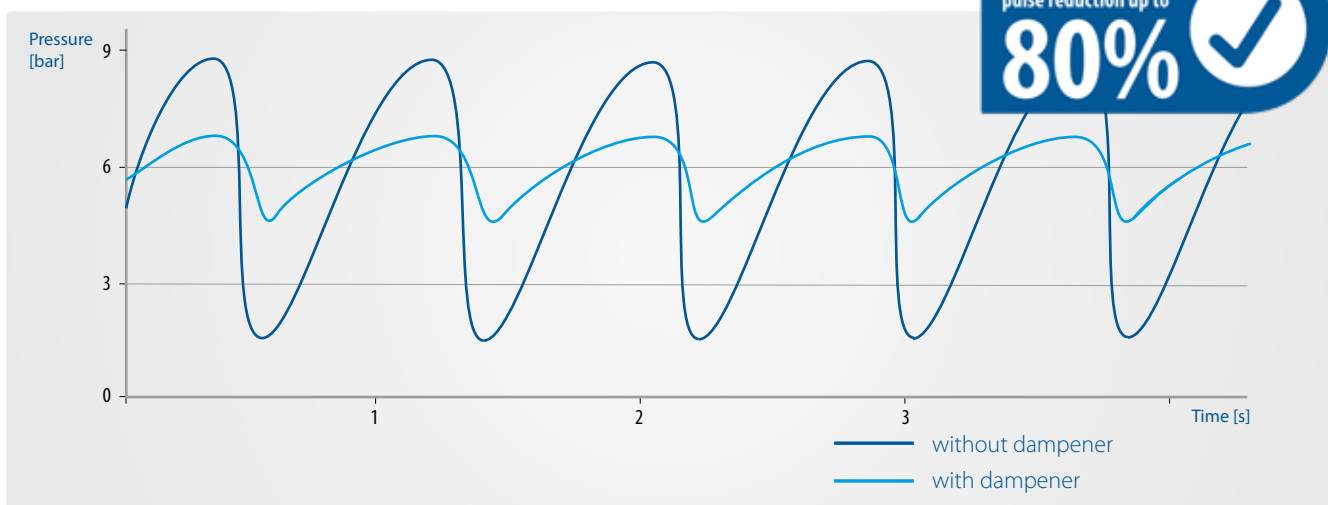
This occurs, when the shoes leave the hose after compression on the discharge side of the pump. The compressed hose of the hose pump returns to its original shape, thus the volume at the discharge of the pump increases. This results in pressure drops at the discharge line of the installation creating unwanted pulsations, vibrations and hammering in the piping.

Tapflo DPT pulsation dampeners reduces these pulses up to 80%, by a compressed vessel with a reinforced hose filled once with compressed air or nitrogen.

The lifetime of the hose in the hose pump, the reliability of the pump itself, as well as the performance of the installation are fully optimized.

## The dampening effect

The efficiency variation in a discharge line with and without a pulsation dampener.



Tapflo DPT pulsation dampeners change a pulsating flow into a more linear one. The dampener installed at the pump outlet (light blue) decreases the flow pulsation, compared to one without it (dark blue).

Proven pulsation reduction up to 80%. The use of a pulsation dampener is the most effective way to improve the performance of your system by reducing flow pulsations as well as their negative impacts on piping systems.





The dampeners can operate in a vertical or horizontal position.

The dampeners need to be mounted as close as possible to the discharge side of the pump.



#### Available connections



Modular flange (standard)  
EN 1092-1 PN16 or ANSI 150 flange



Hygienic fittings  
DIN 11851



Tri-Clamp connections  
DIN 32676 or ASME BPE clamp (DIN 32676 serie C)

#### Available hoses materials

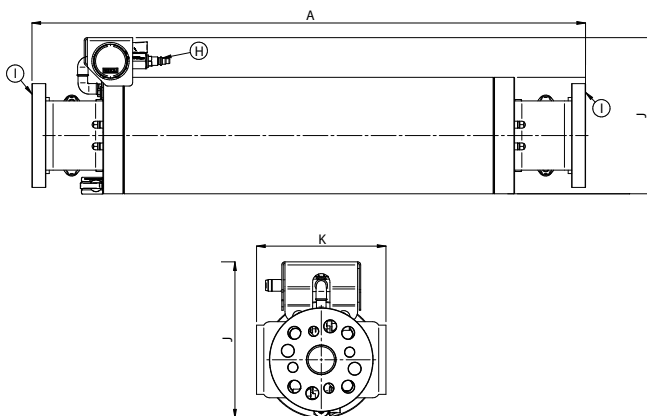
Hose	ATEX	Industry								
		Water treatment	Ceramic	Mining & quarries	Building & construction	Chemical	Food & beverage	Pharmaceutical & cosmetics	Paint, pulp & paper	Agriculture & biogas
<b>Industrial</b>										
NR	●	●	●	●	●	●			●	●
NBR		●		●		●				●
EPDM	●	●	●	●	●	●		●	●	●
CSM		●		●		●				●
<b>Food Grade</b>										
NR FDA							●	●	●	
NBR FDA							●	●		
EPDM FDA							●	●		

## Materials, data and properties

Technical data	Dampener size			
	DPT40	DPT65	DPT100	DPT125
Hose pump size	PT 25, PT 32, PT 38, PT 40	PT 51, PT 60, PT 65	PT 80, PT 80L, PT 100	PT 125
Housing material	AISI 304			
Hose material (wetted)	Industrial applications: NR (std), NBR, EPDM, CSM ATEX applications: NR, EPDM Food applications: NR FDA, NBR FDA, EPDM FDA			
Insert material (wetted)	AISI 316L (std), AISI 316L PTFE Lining			
Flange size (EN 1092-1)	DN40 (std), DN25, DN32	DN65 (std), DN50	DN100 (std), DN80	DN125 (std)
Connection type (optional connection type)	DIN11851, DIN32676 (serie C), ANSI 150 flange, ASME BPE clamp			
Thread & clamp size	DN40 / 1 1/2"	DN65 / 2 1/2"	DN100 / 4"	DN125 / 5"
Compressed air connection	DN 7.2 PLUG Euro (std)			
Drainage size	1/8" BSP thread			
Max. air pressure [bar] / [psi]	15 / 217	10 / 145	10 / 145	10 / 145
Max. outlet pressure [bar] / [psi]	15 / 217	10 / 145	10 / 145	10 / 145
Min. temperature [°C] / [°F]	-20 / -4	-20 / -4	-20 / -4	-20 / -4
Max. temperature* [°C] / [°F]	80 / 176	80 / 176	80 / 176	80 / 176
Dampener weight [kg] / [lb]	25 / 55	55 / 121	87 / 192	86 / 190

\* not applicable in ATEX

## Dimensions



Dimensions in mm (where other is not indicated)  
Dimensions in inch (where other is not indicated)

Dim	Dampener size			
	DPT40	DPT65	DPT100	DPT125
A	800   31.5	962   37.87	1370   53.94	1370   53.94
E	168   6.61	273   10.75	324   12.76	324   12.76
H	DN7.2	DN7.2	DN7.2	DN7.2
I	DN25-40	DN50-65	DN80-100	DN125
J	226   8.90	336   13.23	386   15.20	386   15.20
K	187   7.36	273   10.75	324   12.76	324   12.76

## Codification

I.

DPT

I. DPT = Pulsation Dampener

II. Pulsation dampener size:

40, 65, 100, 125

III. Housing material:

S = AISI 304

II.

65

IV. Hose material:

C = CSM

E = EPDM

F = NBR FDA

N = NBR

R = NR

S = NR FDA

W = EPDM FDA

III.

S

IV. Special execution:

1. Insert material:

blank = AISI 316L

ST = AISI316L PTFE Lined

IV.

R

V.

1S3A

3 = Optional connections:

blank = EN 1092-1 flange (std)

A = ANSI flange 150 Lbs

F = EN 1092-1 flange  
(non standard flange size)







S = ASME BPE clamp (DIN32676 serie C)

T = DIN32676 clamp

X = DIN 11851 thread

# Product range

## Diaphragm pumps

 Electrically operated pumps	 PE & PTFE pumps	 Metal pumps	 Pharmaceutical pumps	 Sanitary pumps
 TC Intelligent pumps	 Powder pumps	 TF Filter press pumps	 Steinle filter press pumps	 Aseptic pumps

## Centrifugal pumps

 CTXH & I, CTH & I pumps	 NEW CTXS H & I, CTS H & I self-priming pumps	 CTV vertical pumps	 CTP plastic pumps	 CTM magnetic drive pumps
--	---	---	---	---

## Other pumps

  
NEW Hose pumps

  
NEW Submersible pumps

  
NEW LPX Lobe pumps\*

## Mixers

  
NEW Industrial Mixers

## Systems

  
NEW HVS High Viscosity Drum Unloading System

## Filters


  
FT Filter units

## Accessories

  
NEW Pulsation dampeners

  
Control systems

  
Hygienic valves

  
Hygienic & Industrial Trolleys

• offered only in: Australia, Austria, Canada, Denmark, France, Germany, Ireland, Italy, Japan, Netherlands, Portugal, South Africa, Spain, Sweden, United Kingdom

## Sweden

Filaregatan 4 | S-442 34 Kungälv

Tel: +46 303 63390

Fax: +46 303 19916

E-mail addresses:

Commercial questions: [sales@tapflo.com](mailto:sales@tapflo.com)

Orders: [order@tapflo.com](mailto:order@tapflo.com)

Tech support: [support@tapflo.com](mailto:support@tapflo.com)

## Tapflo products and services are available worldwide.

Tapflo is represented by own Tapflo Group Companies and carefully selected distributors assuring highest Tapflo service quality for our customers' convenience.

AUSTRALIA | AUSTRIA | AZERBAIJAN | BAHRAIN | BELGIUM | BOSNIA | BRAZIL | BULGARIA | CANADA | CHILE | CHINA | COLOMBIA | CROATIA | CZECH REPUBLIC | DENMARK | ECUADOR | EGYPT | ESTONIA | FINLAND | FRANCE | GREECE | GEORGIA | GERMANY | HONG-KONG | HUNGARY | ICELAND | INDIA | INDONESIA | IRELAND | ISRAEL | ITALY | JAPAN | JORDAN | KAZAKHSTAN | KUWAIT | LATVIA | LIBYA | LITHUANIA | MACEDONIA | MALAYSIA | MEXICO | MONTENEGRO | MOROCCO | NETHERLANDS | NEW ZEALAND | NORWAY | POLAND | PORTUGAL | PHILIPPINES | QATAR | ROMANIA | SAUDI ARABIA | SERBIA | SINGAPORE | SLOVAKIA | SLOVENIA | SOUTH AFRICA | SOUTH KOREA | SPAIN | SWEDEN | SWITZERLAND | TAIWAN | THAILAND | TURKEY | UKRAINE | UNITED ARAB EMIRATES | UNITED KINGDOM | USA | UZBEKISTAN | VIETNAM

## Tapflo Group Companies

### Australia

Tapflo Oceania (Pty) Ltd.  
Tel: +61 1800303633  
[sales@tapflo.com.au](mailto:sales@tapflo.com.au)

### Austria

Tapflo GmbH  
Tel: +43 73227292910  
[sales@tapflo.at](mailto:sales@tapflo.at)

### Baltic States

Tapflo SIA  
Tel: +371 67472205  
[sales@tapflo.lv](mailto:sales@tapflo.lv)

### Belgium

Tapflo Benelux B.V.  
Tel: +31 (0)850074300  
[info@tapflo.nl](mailto:info@tapflo.nl)

### Bulgaria

Tapflo EOOD  
Tel: +359 (0)29741854  
[office@tapflo.bg](mailto:office@tapflo.bg)

### Canada

Tapflo Canada  
Tel: +1 5148135754  
[canada@tapflo.com](mailto:canada@tapflo.com)

### China

Tapflo (Wuxi) Pumps Co. Ltd.  
Tel: +86 51082417072  
[sales@tapflo.cn](mailto:sales@tapflo.cn)

### Croatia

Tapflo d.o.o.  
Tel: +385 914884666  
[sales@tapflo.hr](mailto:sales@tapflo.hr)

### Czech Republic

Tapflo s.r.o.  
Tel: +420 513033924  
[tapflo@tapflo.cz](mailto:tapflo@tapflo.cz)

### Denmark

Tapflo Danmark ApS  
Tel: +45 36454600  
[info@tapflo.dk](mailto:info@tapflo.dk)

### France

Sarl Tapflo France  
Tel: +33188788240  
[info@tapflo.fr](mailto:info@tapflo.fr)

### Hungary

Tapflo Kft.  
Tel: +36 30148 8551  
[office@tapflo.hu](mailto:office@tapflo.hu)

### India

Tapflo Fluid Handling India Pvt Ltd.  
Tel: +91 2065000215  
[ac@tapflo.in](mailto:ac@tapflo.in)

### Ireland

Tapflo Ireland Ltd.  
Tel: +353 12011911  
[info@tapflo.ie](mailto:info@tapflo.ie)

### Italy

Tapflo Italia S.r.l.  
Tel: +39 0362306528  
[info@tapfloitalia.com](mailto:info@tapfloitalia.com)

### Japan

Tapflo Japan K.K.  
Tel: +81 362403510  
[tapflojp@tapflo.co.jp](mailto:tapflojp@tapflo.co.jp)

### Kazakhstan

Tapflo LLP  
Tel: +7 7273278347  
[sales@tapflo.kz](mailto:sales@tapflo.kz)

### Netherlands

Tapflo Benelux B.V.  
Tel: +31 (0)850074300  
[info@tapflo.nl](mailto:info@tapflo.nl)

### Poland

Tapflo Sp. z o.o.  
Tel: +48 585304212  
[info@tapflo.pl](mailto:info@tapflo.pl)

### Romania

S.C. Tapflo Rom. S.r.l.  
Tel: +40 213451255  
[sales@tapflo.ro](mailto:sales@tapflo.ro)

### Serbia

Tapflo d.o.o.  
Tel: +381 21445808  
[sales@tapflo.rs](mailto:sales@tapflo.rs)

### Slovakia

Tapflo s.r.o.  
Tel: +421 911137883  
[tapflo@tapflo.sk](mailto:tapflo@tapflo.sk)

### Slovenia

Tapflo d.o.o.  
Tel: +386 68613474  
[sales@tapflo.hr](mailto:sales@tapflo.hr)

### Spain

Tapflo Ibérica S.L.  
Tel: +34 918093182  
[avives@tapfloiberica.es](mailto:avives@tapfloiberica.es)

### South Africa

Tapflo (Pty) Ltd.  
Tel: +27 317015255  
[sales@tapflo.co.za](mailto:sales@tapflo.co.za)

### Sweden

Tapflo AB  
Tel: +46 (0)30314050  
[info@tapflo.com](mailto:info@tapflo.com)

### Turkey

Tapflo Makina Ltd.  
Tel: +90 2164673311  
[sales@tapflo.com.tr](mailto:sales@tapflo.com.tr)

### Ukraine

Tapflo LLC  
Tel: +380 442226844  
[sales@tapflo.ua](mailto:sales@tapflo.ua)

### Uzbekistan

Tapflo Uzbekistan  
Tel: +998 712370940  
[sales@tapflo.uz](mailto:sales@tapflo.uz)

### United Kingdom

Tapflo (UK) Ltd.  
Tel: +44 2380252325  
[sales@tapflo pumps.co.uk](mailto:sales@tapflo pumps.co.uk)



If your country is not listed please visit [www.tapflo.com/en/contact](http://www.tapflo.com/en/contact)