

S/P & MID Series



S/P MINI ¾"



S/P Bareshaft Unit



MID Hydraulically Driven Unit

The Bareshaft S/P Series of Flexible Impeller Pumps are available in 4 different sizes (MINI, MINOR, MAJOR & MAXI).

The MID Hydraulically Driven Series of Flexible Impeller Pumps are available in 3 different sizes (MINOR, MAJOR & MAXI).

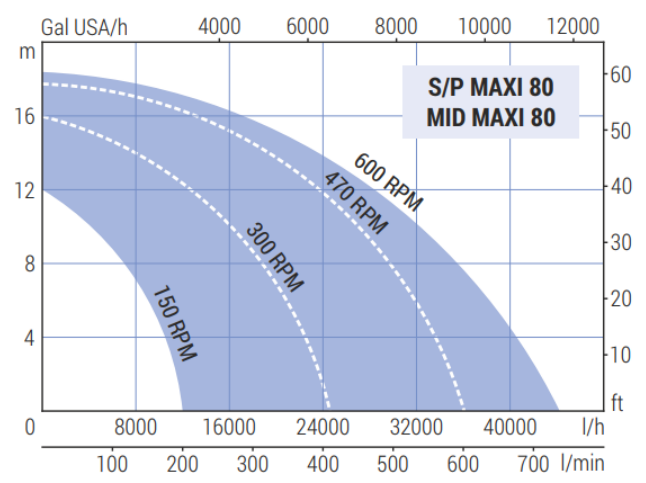
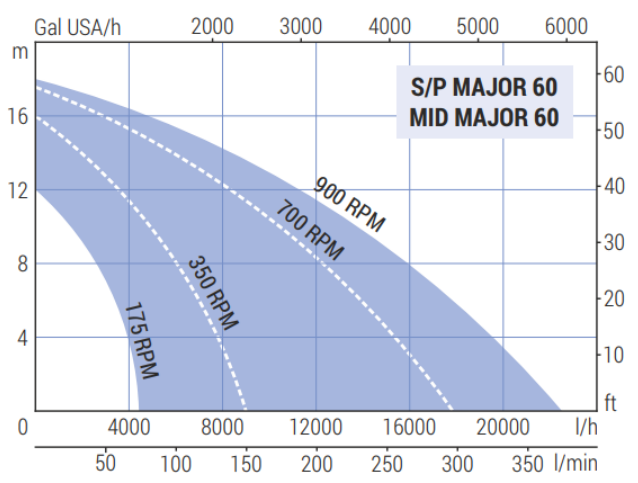
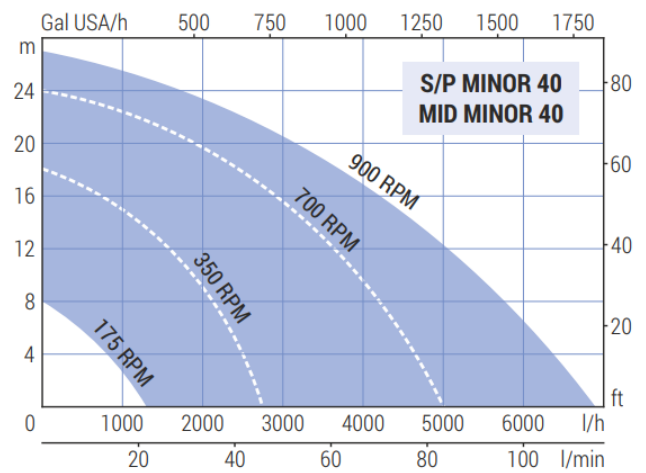
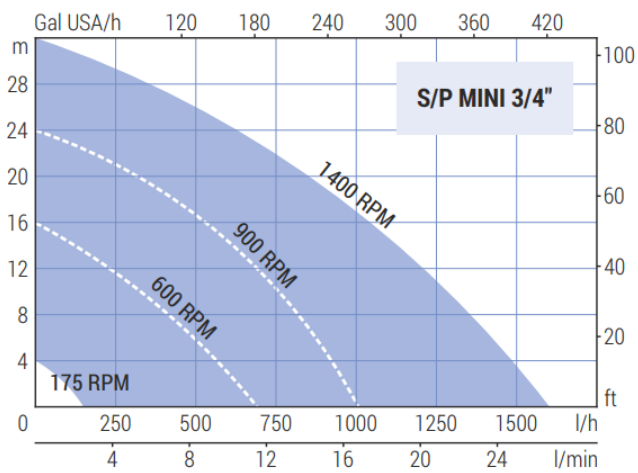
These Flexible Impeller Pump variants are particularly useful when an existing drive train is in place such as a PTOs, belt drives or hydraulic motors on vehicles such as trucks, tractors & boats. Due to their lightweight & compact design, versatility in port configuration, ability to handle a wide variety of fluids and wide range of accessories and materials they are a perfect solution for low head transfer, filling, metering & loading / offloading applications in both industrial and hygienic sectors.

PTO Drives, Manual & Spring Loaded By-Passes as well as Orbital Hydraulic Motors (50 CC), or couplings suitable for attachment to an existing hydraulic drive motor, are all available on request.

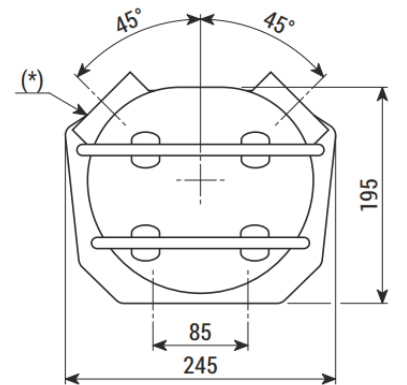
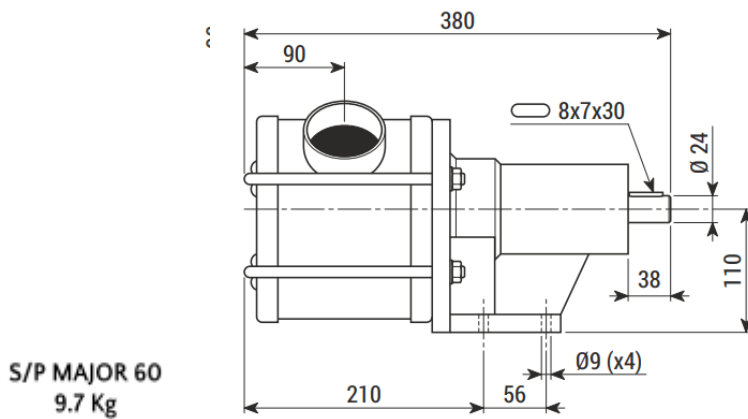
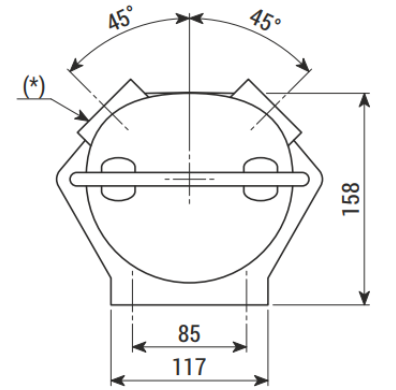
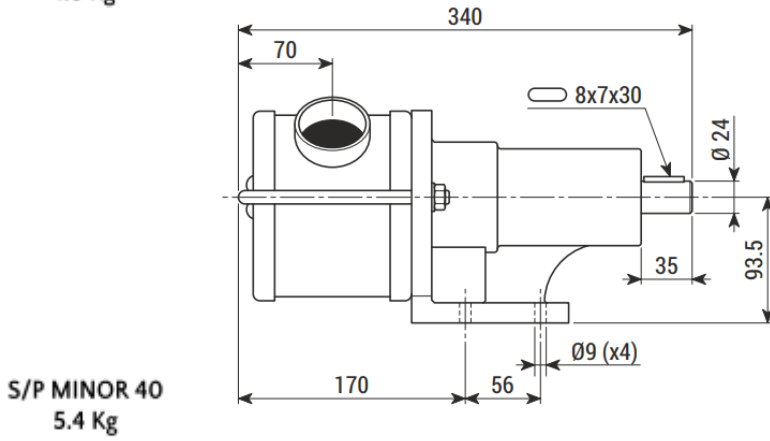
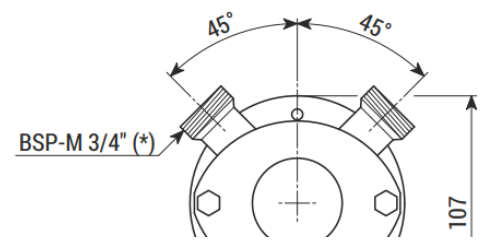
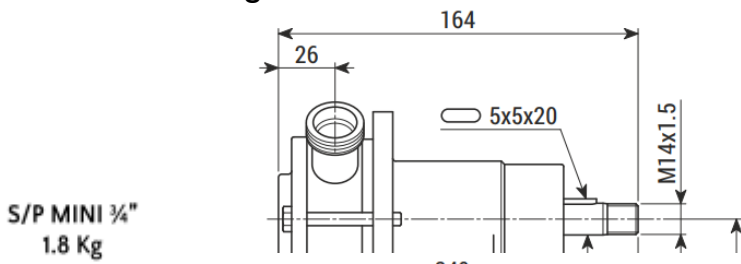
Performance Table:

Pump Type	Speed, rpm	Head, m											Capacity, l/hr		
		0	4	8	10	12	16	18	20	24	27	32			
S/P MINI ¾"	Min	175	150	0											
		600	700	560	300	150	0								
		900	1000	900	840	750	720	640	450	350	0				
	Max	1400	1620	1440	1320	1230	1140	1020	900	800	600	400	0		
S/P MINOR 40 MID MINOR 40	Min	175	1320	800	0										
		350	2750	2500	2100	1900	1600	800	0						
		700	5000	4700	4300	4000	3700	3000	2520	1800	0				
	Max	900	6900	6200	5760	5400	5040	4200	3660	3200	1800	0			
S/P MAJOR 60 MID MAJOR 60	Min	175	4320	3840	2800	1750	0								
		350	9000	7800	6000	4900	3700	0							
		700	18000	15000	12000	10400	8400	2500	0						
	Max	900	22500	19560	15000	13750	11220	3000	0						
S/P MAXI 80 MID MAXI 80	Min	150	12000	10000	7500	4150	0								
		300	24600	22200	18900	16000	12000	0							
		470	36000	34200	30000	27000	24000	12000	0						
	Max	600	43800	41400	36000	33000	30000	16000	0						

Performance Curves:



Dimensional Drawings:

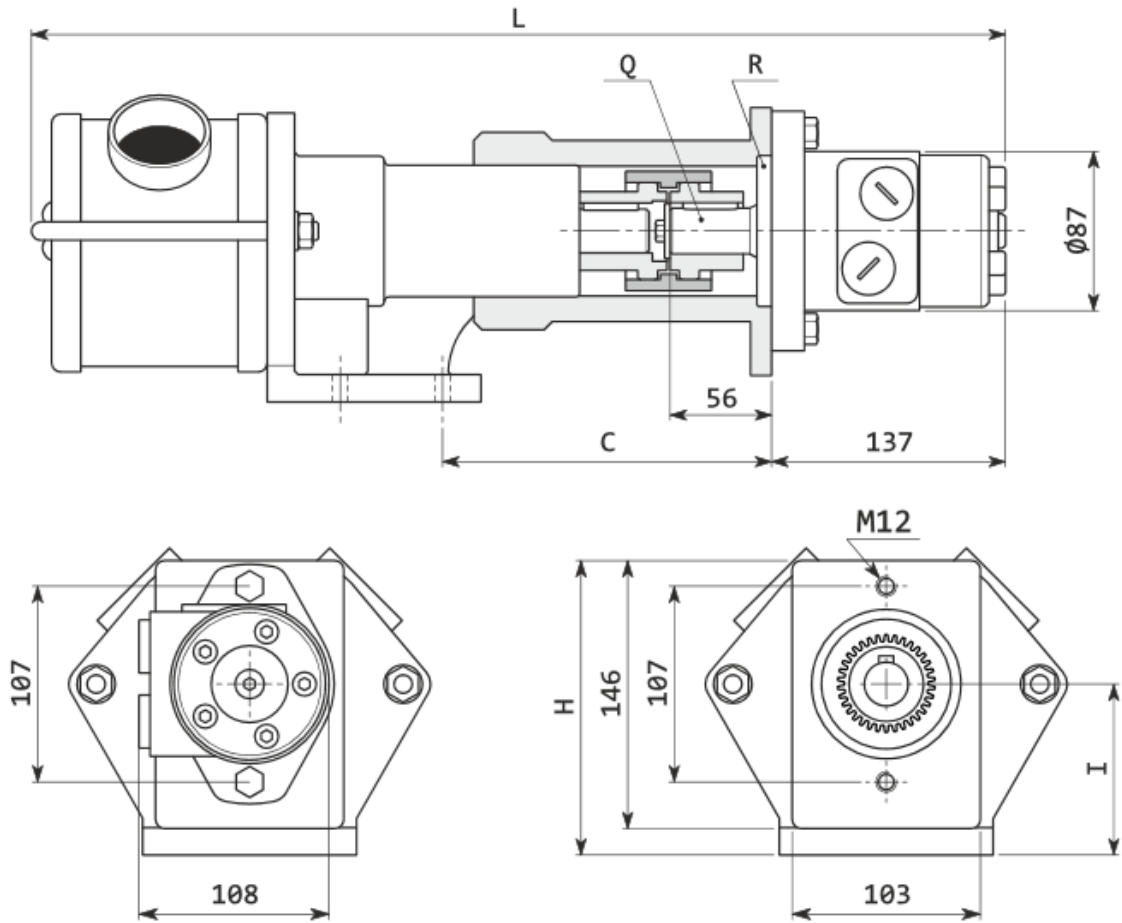


S/P MAXI 80
15.7 Kg

MID MINOR 40
11.7 Kg

MID MAJOR 60
16 Kg

MID MAXI 80
22 Kg



Model	C	H	I	L	Q	R
MID MINOR 40	142	160	95	478	Ø25	
MID MAJOR 60	180	160	93.5	542	 8x7x30	Ø82.5 x 8
MID MAXI 80	185	177	110	575		

(*) Various Connection Types, Sizes & Counter Connections available on request.