

CDU & MDU Stationary & Mobile Decanting Systems



Tapflo UK Ltd. CDU Stationary & MDU Mobile Decanting Systems are pneumatically operated batching and decanting systems. As standard they are fitted with a T(X)50 PTT Air Operated Diaphragm Pump to provide optimal accuracy when dispensing or batching. The systems are also fitted with our TPUK-BP Pneumatic Batch Controller which automatically stops the pump once the predetermined batch quantity has been reached. This enables operators to decant a wide array of fluids from tank sizes ranging from 20 to 1000 Litres with a high level of accuracy and repeatability.

CDU Stationary Decanting System



The CDU System is a fixed in place solution for batching or decanting from bulk containers into smaller vessels being used around a site. It has the facility to accommodate any drum or tank sizes up to an IBC onto its integral drip pan system.

Max Capacity:	50 l/min
Rated Capacity @ 4 Bar:	30 l/min

Utilising Tapflo (UK)'s pneumatic batching system in conjunction with a Tapflo pump and Tapflo (UK)'s PoD valve dispensing hose the system delivers repeatable batched quantities of chemical, enabling users to benefit from the reduced costs associated with bulk chemical supply.

The CDU is delivered piped and ready to go.

MDU Mobile Decanting Systems



MDU-20 Mobile Decanting System

The MDU is a mobile decanting system combining a Tapflo air operated diaphragm pump with a Tapflo (UK) Pneumatic Batcher (BP), Pod valve and purpose designed trolley to accommodate 20L or 25L or 205 Litre chemical containers.

The pneumatic batcher is a fully pneumatic predetermining counter system which registers pump strokes via the air exhaust of an AODD pump, stopping the pump once the pre-set number of strokes have been recorded thus controlling the volume of product dispensed by the pump.

The system includes a discharge lance with PoD valve and adjustable swan neck for dispensing directly into the points the chemical is required, thus removing the risk of operators carrying buckets of hazardous chemicals that are often in excess of the safe working weights.

Max Capacity: 50 l/min
 Rated Capacity @ 4 Bar: 30 l/min

MDU-20 System: Designed for 20 or 20 Litre containers

MDU-200 System: Designed for 205 Litre Drums

Both systems features the following key components

- TPUK-BP Pneumatic Batch Controller
- T(X)50 PTT Air Operated Diaphragm Pump
- Pump Speed Control Blocking Needle Valve
- Air Filter & Pressure Regulator w. Gauge
- Stroke Sensitivity Adjustment Screw
- Discharge Hose with POD valve and Adjustable Swan Neck



MDU-200 Mobile Decanting System

The systems will dispense fluid from its on-board vessel and stop the pump automatically once the number of strokes recorded equals the number in the 'pre-set value (pump strokes)'. If stopped mid-batch the pump will stop immediately and the number of recorded strokes will re-set to zero.

The batcher is also equipped with a loss of pressure automatic reset system. If the compressed air supply is removed the start/stop-push/pull valve will automatically reset to the 'off' position.

The MDU-200 system also features a fill function which enables the operator to fill the on-board tank from a bulk container.

Features & Benefits:

CDU-50 Stationary Decanting System

- Delivers repeatable batched volumes from bulk chemical storage
- Fully pneumatic
- Simple operation
- Integral hose stowage
- Broad media compatibility
- Available in different versions for maximum flexibility
 - Floor mounted - upstand with pump and batcher all mounted within
 - Wall mounted - pump and air preparation mounted on wall bracket
- Supplied with bund
- PoD valve improves accuracy due to minimal wet leg
- Optional key switch to prevent unauthorised dispensing
- PoD valve prevents drips
- Broad media compatibility
- Stainless steel construction

MDU-20 Mobile Decanting System

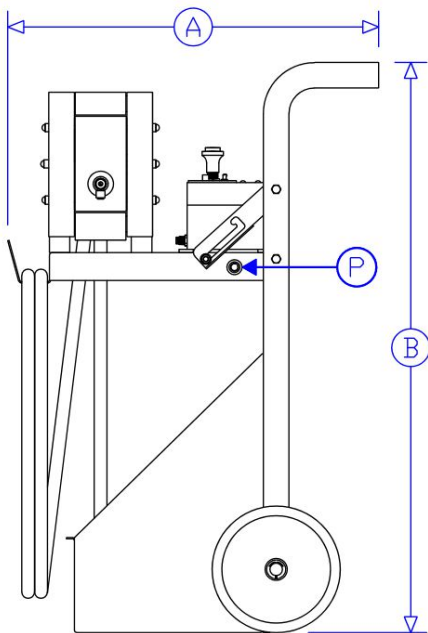
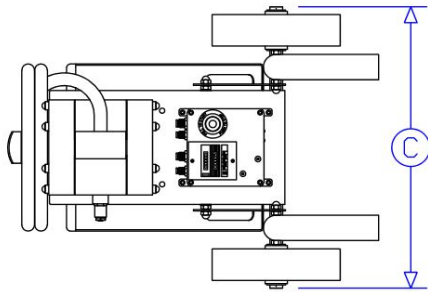
- Removes the risks associated with carrying open containers of chemicals to the process
- Controls the amount of dispensed chemical preventing over dosing
- PoD valve prevents drips
- Easy to manoeuvre
- Designed to fit through a standard door
- Self braking when vertical
- Can be adjusted to suit differing chemical container neck positions
- Fully pneumatic
- Simple operation
- Integral hose stowage
- PoD valve improves accuracy due to minimal wet leg
- Broad media compatibility
- Stainless steel trolley construction

MDU-200 Mobile Decanting System

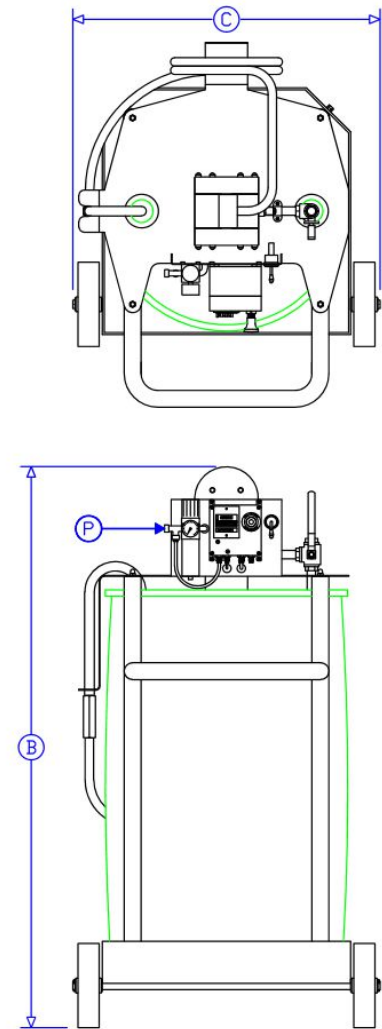
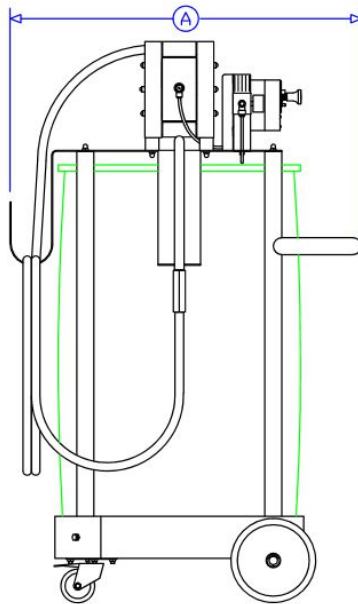
- Removes the risks associated with carrying open containers of chemicals to the process
- Controls the amount of dispensed chemical preventing over dosing
- Shepherd' crook with integral NRV improves accuracy and minimises drips.
- Fully manoeuvrable
- Locking front wheels
- Fully pneumatic
- Simple operation
- Integral hose stowage
- Broad media compatibility
- Simple integral refilling system
- Top-plate and front legs can be removed to allow container to be replaced
- Stainless steel trolley construction
- Ideal for positioning next to the dosing point preventing the need for long chemical lines

MDU Dimensions

MDU-20



MDU-200



Designation	Dimension
A	580 mm
B	900 mm
C	445 mm
P (Air Supply)	1/4" BSPP F

Designation	Dimension
A	830 mm
B	1330 mm
C	725 mm
Air Supply	1/4" BSPP F
Suction Valve Fill Port	1/2" BSPP F