

RID Series – Close Coupled, Self-Priming Reversible Flexible Impeller Pumps with Geared Motors



RID MINOR 40
RID MAJOR 60
RID MAXI 80



RID MAXI Double



RID MAXI Double 2Q



RID MAXI Double 2H

The RID Series is characterised by its close coupled design to a geared motor, making it ideally suited to medium to high viscosity or shear sensitive fluids where low operating speeds are required. Due to their close coupled design, the rotation of the pump head into different porting configurations can be taken advantage of, a possible draw back with the GR series.

NOTE: The RID MAXI DOUBLE 2Q doubles the flow capability of the RID MAXI 80, whereas the RID MAXI DOUBLE 2H doubles the head capability.

Units can be supplied with or without baseplates, trolley mounted and with or without control panels and wired Dry Run Protection if required.

Pump Heads are AISI 316 as standard for the MINI & MIDEX units & AISI 304 for the rest with 316 as an option.

Connections are available in a variety of different sizes and types and can also be configured in different orientations at order stage or in the field.

Mechanical Seals are Ceramic / Graphite / NBR as standard with alternatives also available, e.g. Tungsten Carbide / Tungsten Carbide / Viton & SiC / SiC / EPDM.

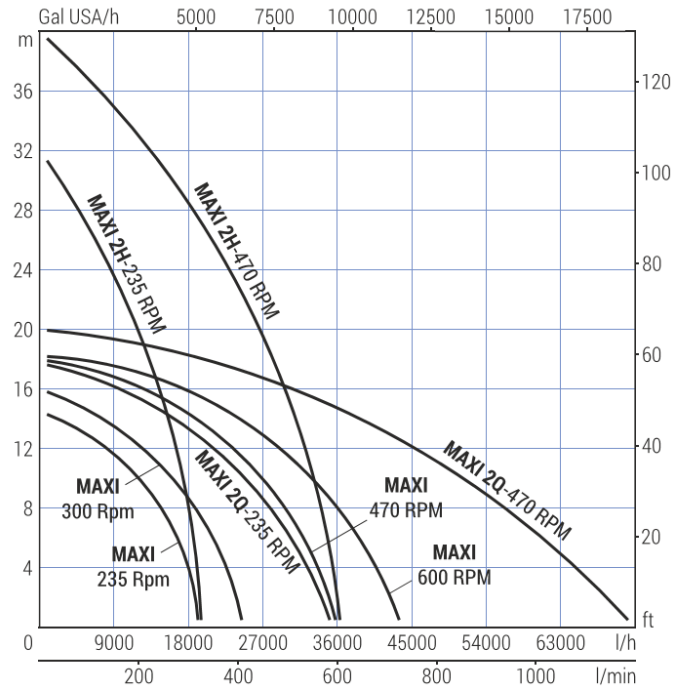
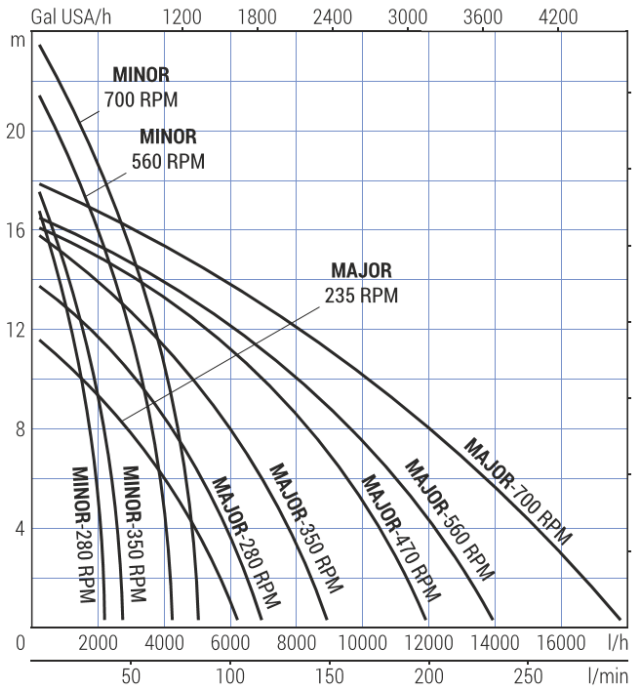
Manual & Spring-Loaded By-Passes are also available on request, along with alternative connection types & sizes.

Specifications:

Max Flow	730 l/min
Max Head	32 m
Solids Passage	3, 5, 10, 15 & 25 mm
Voltages	12 & 24V DC 110, 230 & 400V (MF & TF)
No of Speed Settings	1 or 2
Speeds, rpm	470, 600, 900, 1400
Pump Heads	AISI 304 AISI 316
Impellers	Natural Rubber (NR) Nitrile (NBR) Neoprene (CR) EPDM Silicone (VQM)
Shaft Sealing	Bi-Directional Single Mechanical Seal Ceramic / Graphite / NBR (Std.) SiC/SiC/EPDM Tungsten Carbide / Tungsten Carbide / Viton etc...
Connections	BSP M BSP F Garolla DIN 11851 Macon Tri-Clamp SMS BSM / RJT Friederich (See Table for sizing options)
Options & Accessories	Manual / Spring-Loaded By-Passes Alternative Port Sizing Counter Connections (Hose Fittings & Adaptors) Dry-Run Protection Trolleys & Mobile Packages Control Panels & Variable Speed Drives

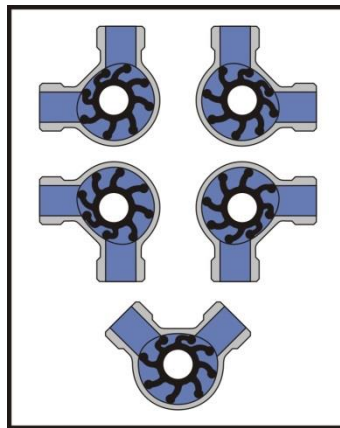
Performance Information:

Pump Type	Motor Info			H = Head (meters)												Q = Capacity (liters/hour)
	kW	Speed Settings	Speed, rpm	0	4	8	12	14	16	18	20	22	24	32	40	
RID MINOR 40	1.5	1	280	2200	2000	1700	1200	830	500	0						
	1.5	1	350	2750	2500	2100	1600	1100	800	0						
	2.2	1	560	4250	4000	3600	2900	2500	2000	1400	750	0				
	1.5	1	700	5000	4700	4300	3700	3300	3000	2520	1800	850	0			
	2.2	2	560	4250	4000	3600	2900	2500	2000	1400	750	0				
	1.5	2	280	2200	2000	1700	1200	830	500	0						
	2.2	2	700	5000	4700	4300	3700	3300	3000	2520	1800	850	0			
RID MAJOR 60	2.2	1	235	6300	5100	3250	0									
	2.2	1	280	7000	5800	4100	1750	0								
	2.2	1	350	9000	7800	6000	3700	2000	0							
	2.2	1	470	12000	10500	8700	5100	3600	0							
	2.2	1	560	14000	12000	9500	6000	4000	0							
	2.2	1	700	18000	15000	12000	8400	5700	2500	0						
	2.2	2	470	12000	10500	8700	5100	3600	0							
	1.5	2	235	6300	5100	3250	0	3600	0							
	2.2	2	560	14000	12000	9500	6000	4000	0							
	1.5	2	280	7000	5800	4100	1750	0	0							
	2.2	2	700	18000	15000	12000	8400	5700	2500	0						
RID MAXI 80	4	1	235	19200	1800	14700	9600	0								
	4	1	300	24600	22200	18900	12000	7600	0							
	4	1	470	36000	34200	30000	24000	19000	12000	0						
	4	1	600	43800	41400	36000	30000	23500	16000	0						
	4.5	2	470	36000	34200	30000	24000	19000	12000	0						
	3.3	2	235	19200	18000	14700	9600	0	12000	0						
	4.5	2	600	43800	41400	36000	30000	23500	16000	0						
RID MAXI DOUBLE 2Q	3.3	2	300	24600	22200	18900	12000	7600	0	0						
	5.5	1	470	72000	65000	56500	45000	38000	30000	20000	0					
	5.5	2	470	72000	65000	56500	45000	38000	30000	20000	0					
RID MAXI DOUBLE 2H	3	2	235	36000	33000	27900	20500	16000	10000	0	0					
	5.5	1	470	36000	35000	34000	32000	30000	29700	28400	27000	24600	23600	14300	0	
	5.5	2	470	36000	35000	34000	32000	30000	29700	28400	27000	24600	23600	14300	0	0
	3	235	19200	185000	18000	16200	15000	14300	13200	12000	10000	9000	0	0		



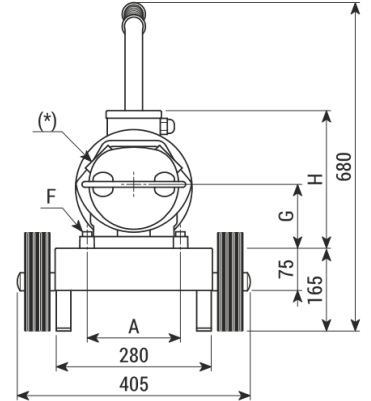
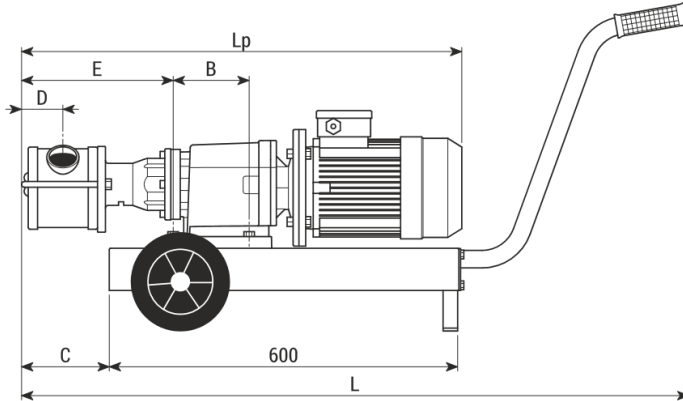
Connection Orientations:

At order stage pumps can be delivered in either the "V" / "90S" or "90D" Configuration, however, depending on the model, the pump head can also be rotated into 5 positions to suit various pipework and installation requirements:



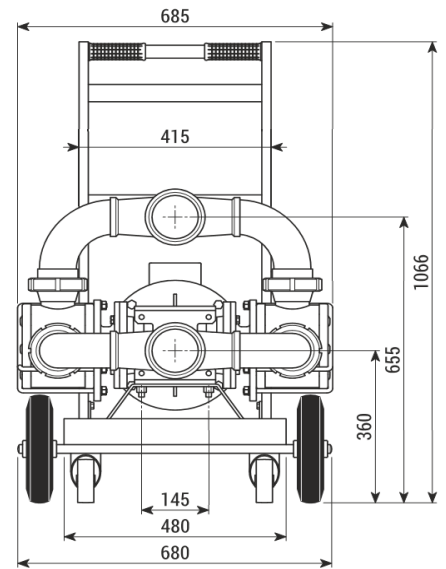
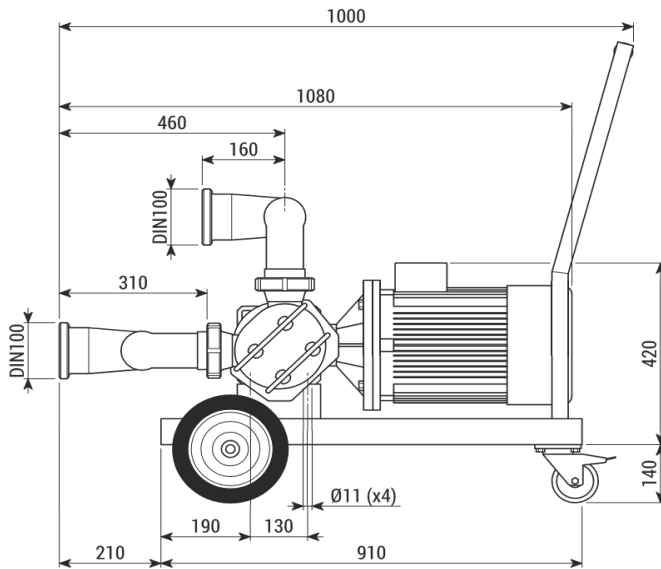
Dimensions:

**RID MINOR 40
RID MAJOR 60
RID MAXI 80**



Pump Type	Weight	Dimensions, mm									
		A	B	C	D	E	F	G	H	L	Lp
RID MINOR 40	42 Kg	130	107.5	64	58.4	194	Ø11	100	232.5	1101	652
RID MAJOR 60	44 Kg	160	130	150.6	71	258	Ø11	105.6	236	1188	756
RID MAXI 80	65 Kg	180	105	113	88	221	Ø14	130	304	1150	783

**RID MAXI
DOUBLE 2Q
RID MAXI
DOUBLE 2H**



Weight ~ 185-200 Kg

Connection Sizes & Types:

Connection Type		Pump Type & Size				
		MINI	MIDEX	MINOR	MAJOR	MAXI
Garolla		N/A	DN 40	DN 40 DN 50	DN 50 DN 60 DN 70	DN 70 DN 80 DN 100
DIN 11851		DN 20 DN 25	DN 32 DN40	DN 40 DN 50	DN 50 DN 60 DN 65	DN 65 DN 80 DN 100
BSP-M		¾"	1¼"	1¼" 1½"	2"	2½" 3"
BSP-F		N/A	1"	1" 1¼"	1½" 2"	2½" 3"
Macon		N/A	DN 40	DN 40 DN 50	DN 40 DN 50	DN 70
Tri-Clamp		1"	1½"	1½"	2"	3"
SMS		DN 25	DN 38	DN 38	DN 51	DN 76
RJT (BSM)		1"	1½"	1½"	2" 2½"	3"
Friederich		N/A	DN 40	DN 40	DN 40 DN 60	DN 60

On / Off / Reversing Switches:

All trolley mounted models are available with a CE Compliant Control Panel with an On / Off / Reversing Selector Switch and Start Button to enable easy On / Off & Flow Direction Control of the pump at the point of use. Most models have 1 Speed Setting, however there are a few select models which have 2 Speed Settings.

The functionality of these is explained below:

1 Speed Setting



"0" is the Off Position
"1" & "2" Represent the Flow Direction

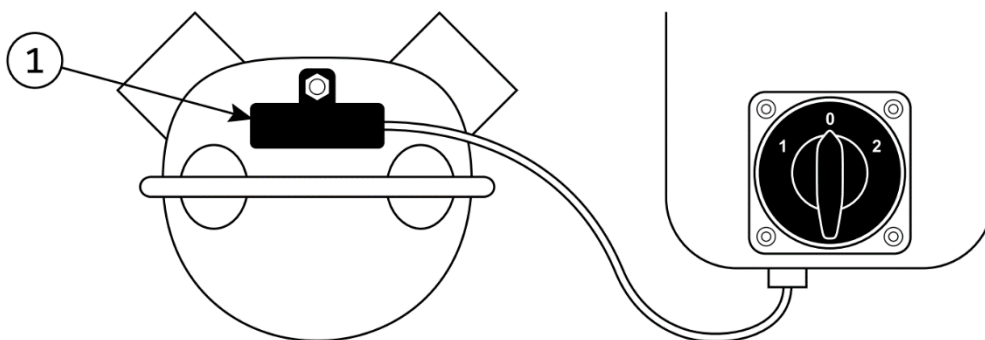
2 Speed Setting



"0" is the Off Position
"1" Represents the Lowest Speed Setting in either Flow Direction
"2" Represents the Highest Speed Setting in either Flow Direction

Dry Run Protection:

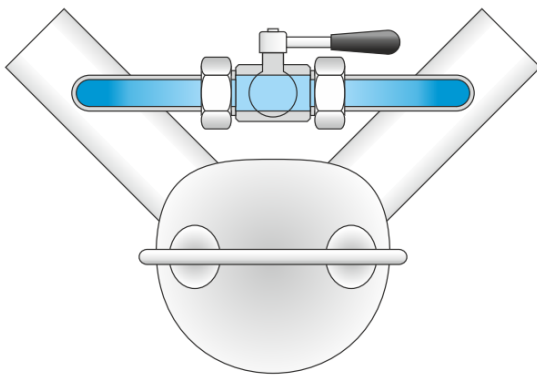
Dry Run Protection can be optionally fitted to pump heads from MINOR sizes upwards. It is a temperature sensor which automatically stops the pump once it registers a temperature higher than 50°C within the pump head. For fluids being pumped higher than this temperature then sensors set at 70, 90 & 100°C are available on request and need to be specified at order stage. Once the temperature in the pump head drops below the pre-set value the pump automatically starts back up.



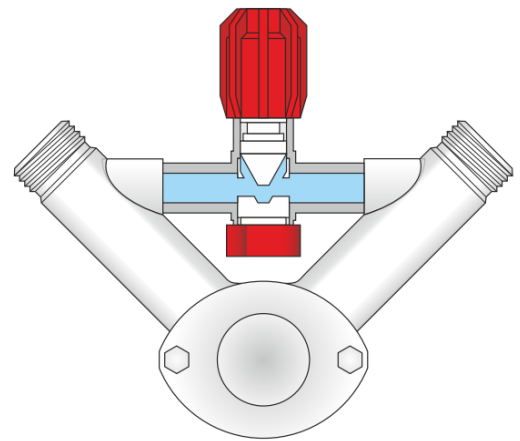
Manual & Spring-Loaded By-Passes:

Manual and Spring-Loaded By-Passes are available as an optional adder on all pump heads and are ideal when the pump is being used with a discharge nozzle or there is the potential for Dead Head Operation or for manual flow control. The bypass valve connects the inlet and outlet pipes of the pump to enable product recirculation. When necessary, it is possible to open the valve to decrease the capacity and the head of the pump according to requirements.

PLEASE NOTE: In order to retain the self-priming capability of the pump at the start of operation, the by-pass valve must be completely closed.



Manual By-Passes
MINI, MAJOR, MAX Pump Types



Spring-Loaded By-Passes
MIDEX & MINOR Pump Types

